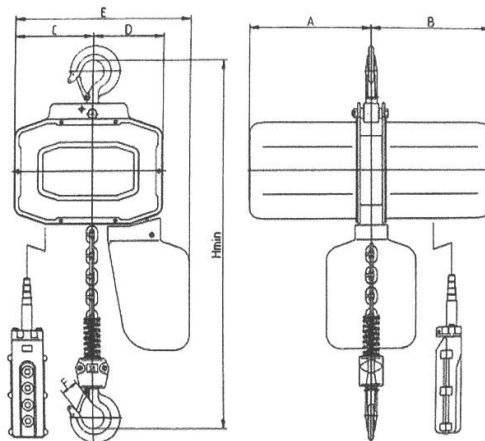




**POLIPASTOS**  
DE MÉXICO S.A. DE C.V.

## Single Phase Electric Chain Hoist Model SP-PE



### Features

- 125% SWL dynamic load test
- Working voltage: 220V 50/60HZ 1 PH
- Working duty: M3
- unique overloading safety protection
- electrical machine hot protection
- fast lifting speed, light selfweight
- Convenient operation and beautiful appearance

### Technical Parameters

Capacity (t)	Model	Lifting speed (m/min)	Motor Power (Kw)	No. of chain	Chain size	Net weight (Kg)
0.25	SP-TE002S	8	0.45	1	5x15	22
0.5	SP-TE005L	4	0.45	2	5x15	25
0.5	SP-TE005S	7	0.8	1	7.1x21	55
1	SP-TE010S	6	1.2	1	7.1x21	60
2	SP-TE020S	3	1.2	2	7.1x21	65
3	SP-TE030S	2	1.2	3	7.1x21	70

### Size Specification (mm)

Model	H	A	B	C	D	E	F
SP-TE002S	430	210	210	116	104	262	24
SP-TE005L	450	210	210	92	128	262	24
SP-TE005S	500	245	245	158	142	350	34
SP-TE010S	520	245	245	158	142	350	34
SP-TE020S	630	245	245	124	176	350	40
SP-TE030S	710	245	245	124	176	350	45