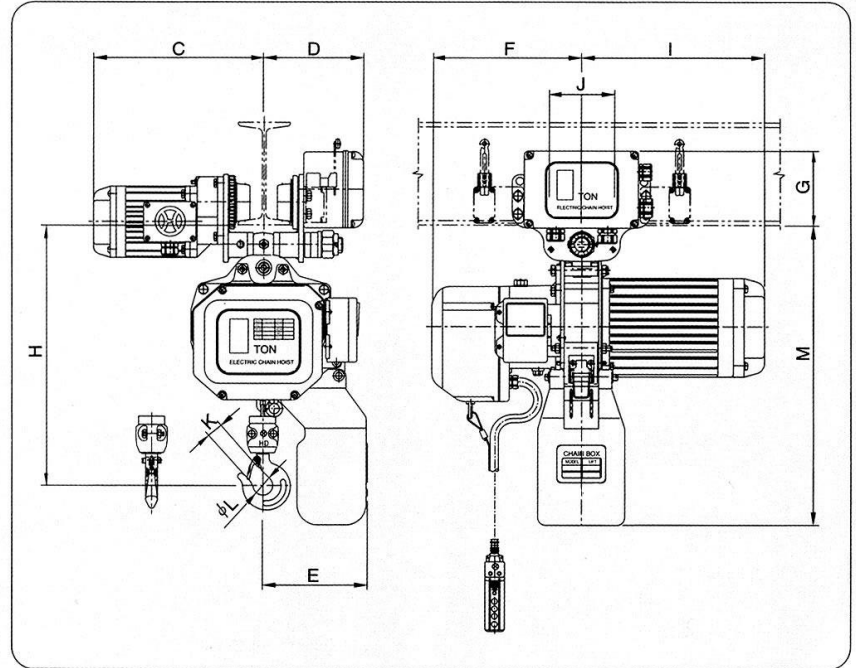




**POLIPASTOS**  
DE MÉXICO S.A. DE C.V.

# Regular Type Hoist with motor-Driven Trolley (HT)



## Specifications

Capacity (kg)	Model	Lift (m)	Rating (min)	Hoisting Speed (m/min)		Hoisting Motor (kW)	Traversing Speed (m/min)		Traversing Motor (kW)	Load Chain (dia. × falls)	Net Weight (kg)	Beam Width (mm)	Min Radius for Curve (mm)
				50Hz	60Hz		50Hz	60Hz					
1000	HT-S100	4	30	5.4	6.5	1.5	16.6	20	0.25	7.1 × 1	93	75-125	1100
1000	HT-D100			5.4/2.7	6.5/3.25	1.5/0.75					100		
2000	HT-S200	3		2.7	3.25	1.5	8.3	10	0.13	7.1 × 2	103	100-150	1200
2000	HT-D200			2.7/1.35	3.25/1.63	1.5/0.75					110		

## Dimensions (mm)

Model	Sym.	C	D	E	F	G	H	I	J	K	L	M
HT-S100		327.5	193.5	203	289.5	145	423	354.5	127	30	38	583.5
HT-D100		327.5	193.5	203	289.5	145	423	354.5	127	30	38	583.5
HT-S200		345.5	211.5	243	289.5	157	608.5	354.5	145	36	48	690
HT-D200		345.5	211.5	243	289.5	157	608.5	354.5	145	36	48	690